



VIEWSHINE



ULTRASONIC GAS METER U-GR1

Chapter 1: Introduction

Viewshine U-GR1 is a compact ultrasonic gas meter which is suitable for installation in narrow space or concentrated installation in meter box. In its extended measuring range of 0.016~10m³h, U-GR1 keeps high level of accuracy due to its very sensitive ultrasonic sensor. No moving parts, full electronic measurement and temperature compensation drive all combine to give superior accuracy and stability in meter's service life.

Features:

- ✓ Long Term Stability under Difficult Condition
 - Static, No Moving Parts, no Wear and Tear
- ✓ Compact Design, Easy Installation
 - 1/4 Size of Diaphragm Meter
 - 1/5 Weight of Diaphragm Meter
- ✓ Automatic Temperature Compensation
- ✓ Compatible with Pulse Output and Data Output
- ✓ High Measurement Stability and Accuracy
- ✓ LCD Display

Chapter 2: General Description

Product Name:

Name Ultrasonic Gas Meter

Model No.:

Code U-GR1

Identification of product:

- Nut
- Case
- Panel
 - ✓ LCD
 - ✓ Optical Port
 - ✓ Pulse output indicator



Fig. 1

Chapter 3: Technical Characteristics

Range and Capacities

	G1.6	G2.5	G4.0	G6.0
Qmin	0.016	0.025	0.04	0.06
Qn	1.6	2.5	4.0	6.0
Qmax	2.5	4.0	6.0	10.0

Electrical

Battery 3.6V, Li-battery、Alkaline Battery

Metrological

Accuracy $\pm 3\%$ in range $Q_{min} \leq Q < 0.1Q_{max}$

$\pm 1.5\%$ in range $0.1Q_{max} \leq Q \leq Q_{max}$

Pressure Loss < 200Pa

Mechanical

Environmental Classification Indoor

Protection Class IP54

Medium Temperature -25~55°C

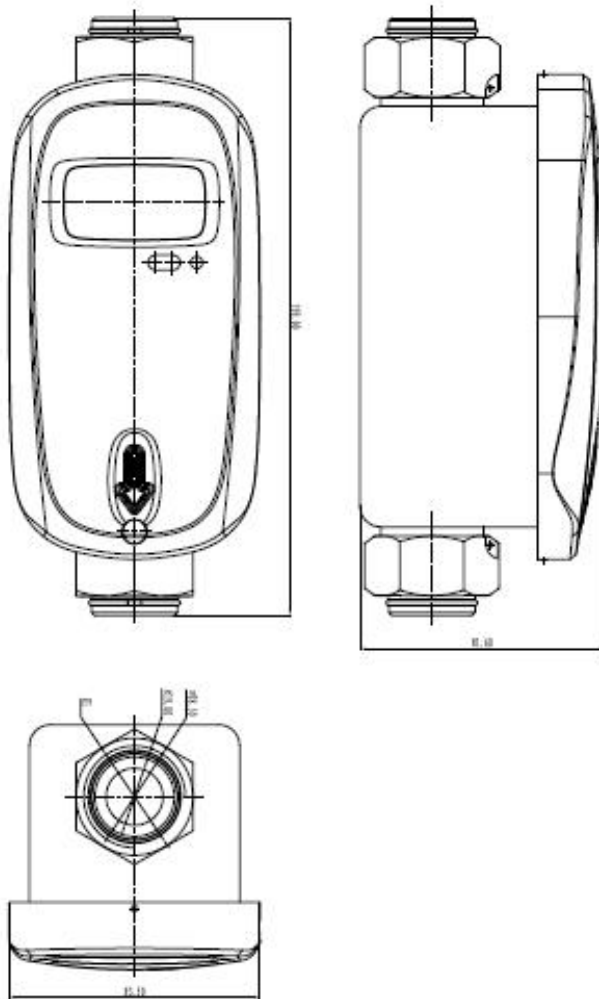
Storage Temperature -30~60°C

Pressure Range $\leq 10\text{kpa}$

Body Material Steel

Nut connection G3/4"、G1"

Dimension 199*83.5*81.6mm



ABOUT VIEWSHINE

- Leading brand of gas meter industry in China
 - 15 years of ultrasonic gas meter R&D and application experience
 - Complete product range: residential, commercial and industrial gas meter
 - Professional smart gas meter solutions
-
- Building 6#, Moganshan Road 1418-41, Hangzhou, Zhejiang, P.R.C
 - T +86-(0)571-88179018
 - WhatsApp: +8613868130455
 - Email: sales@viewshine.com.cn